

KNC-SRV-SMH60S-0040 Servo Motor



FEATURES

- 120 - 220 VAC
- 400 W Power Rating
- Rated Torque of 179 oz-in
- Maximum Speed of 6200 RPM
- 2500 PPR Incremental Encoder
- IP65 for Body, IP54 Shaft Seal
- 60mm Frame Size
- CE Certified

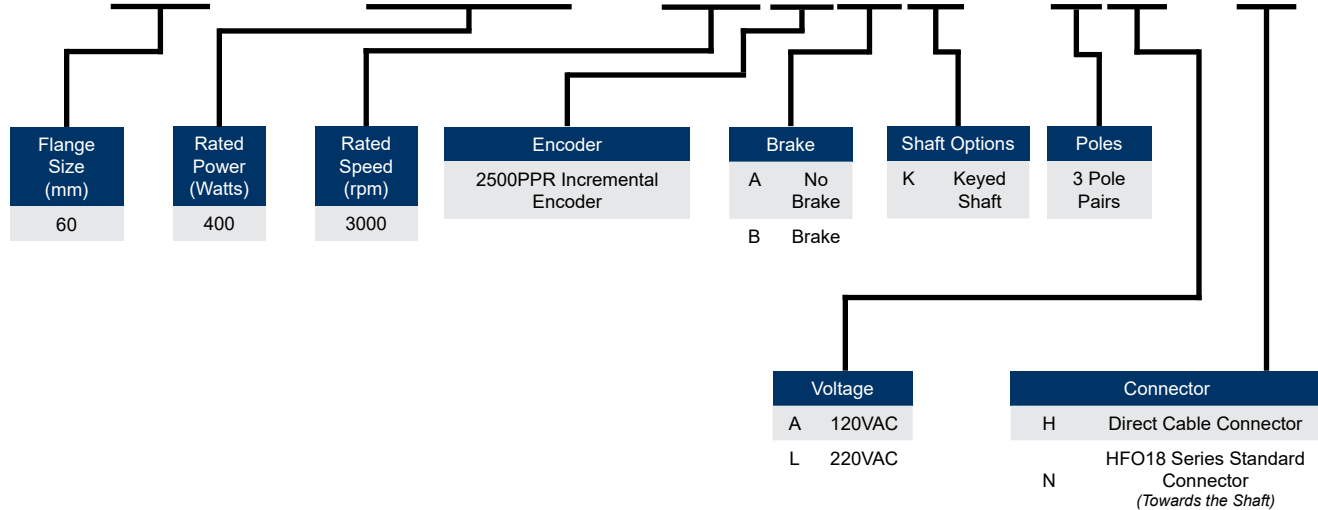


DESCRIPTION

The KNC-SRV-SMH60S-0040 Series Servo Motor offers a solution to servo applications requiring position and speed control. This servo motor series comes standard with a 2,500 Pulses per Revolution (PPR) Incremental Encoder, runs at a rated speed of 3000 RPM, provides peak values up to 300% of the rated torque and current values, and has a rated torque of 179 oz-in with a 400 Watt power rating. This servo motor series enables industrial motion control applications to attain a great combination of position and speed functionality.

ORDERING INFORMATION

SMH60S - 0040 - 30AAK - 3AKH

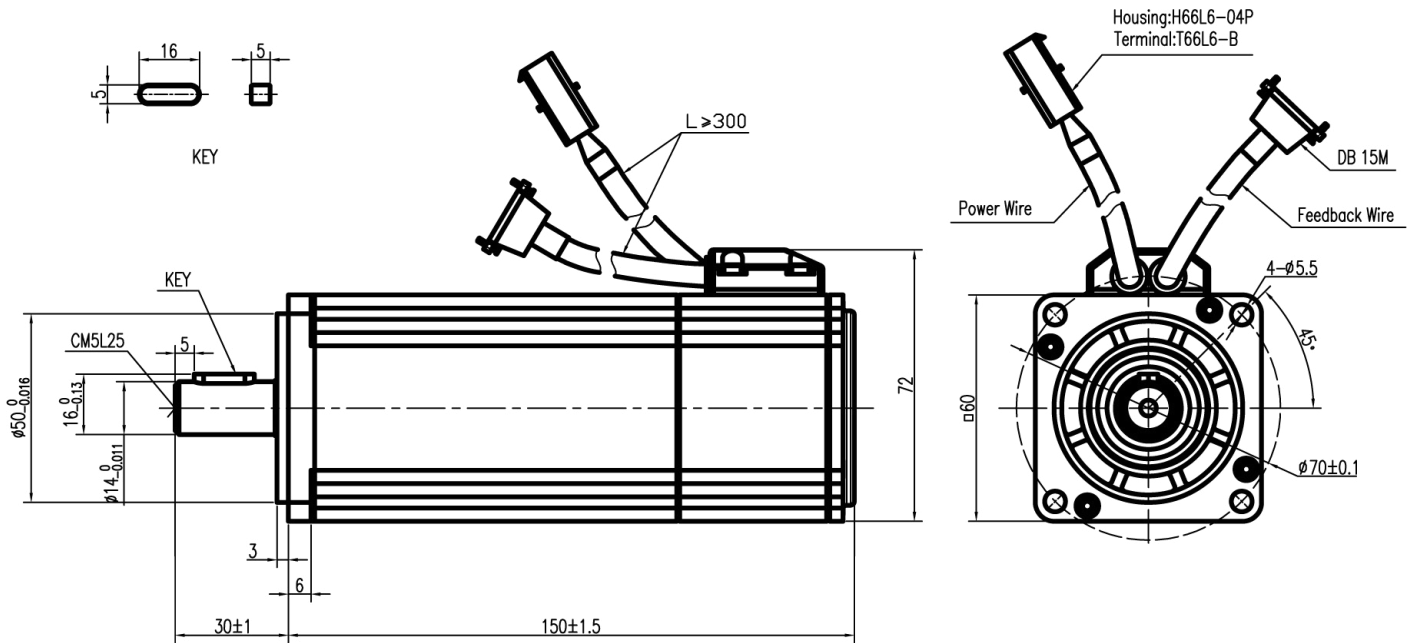


L011605

Model	KNC-SRV-SMH60S-0040-30AAK-3AKH KNC-SRV-SMH60S-0040-30ABK-3AKH	KNC-SRV-SMH60S-0040-30AAK-3LKH KNC-SRV-SMH60S-0040-30AAK-3LKN KNC-SRV-SMH60S-0040-30ABK-3LKH
Compatible Driver	KNC-SRV-FD322S-LA-000	KNC-SRV-FD422S-(LA/CA/AA)-000
DC Link Voltage (VDC)	155	300
Rated Power (W)	400	400
Rated Torque (oz-in)	179	179
Rated Speed (RPM)	3000	3000
Max Speed (RPM)	6200	6200
Rated Current (A)	4	3.1
Maximum Torque (oz-in)	539	539
Maximum Current (A)	12	9.3
Standstill Torque (oz-in)	198	196
Standstill Current (A)	4.4	3.38
Resistance Line-Line (Ω)	1.7	3.52
Inductance Line-Line (mH)	3.5	7.8
Electrical Time Constant (ms)	2	2.22
Mechanical Time Constant (ms)	12.6	1.35
Torque Constant Kt (oz-in/A)	46.87	67
Rotor Moment of Inertia Jm (oz-in-s ²)	0.00678 0.00683 (with brake)	0.00722 0.00727 (with brake)
Brake Holding Torque (oz-in)	184.1	184.1
Pole Pair Number	3	3
Maximum Voltage Rising du/dt (KV/ μ s)	8	8
Insulation Class	F	F
Maximum Radial Force F (N)	180	180
Maximum Axial Force F (N)	90	90
Weight (lbs)	3.97 / 5.07 (with brake)	3.97 / 5.07 (with brake)

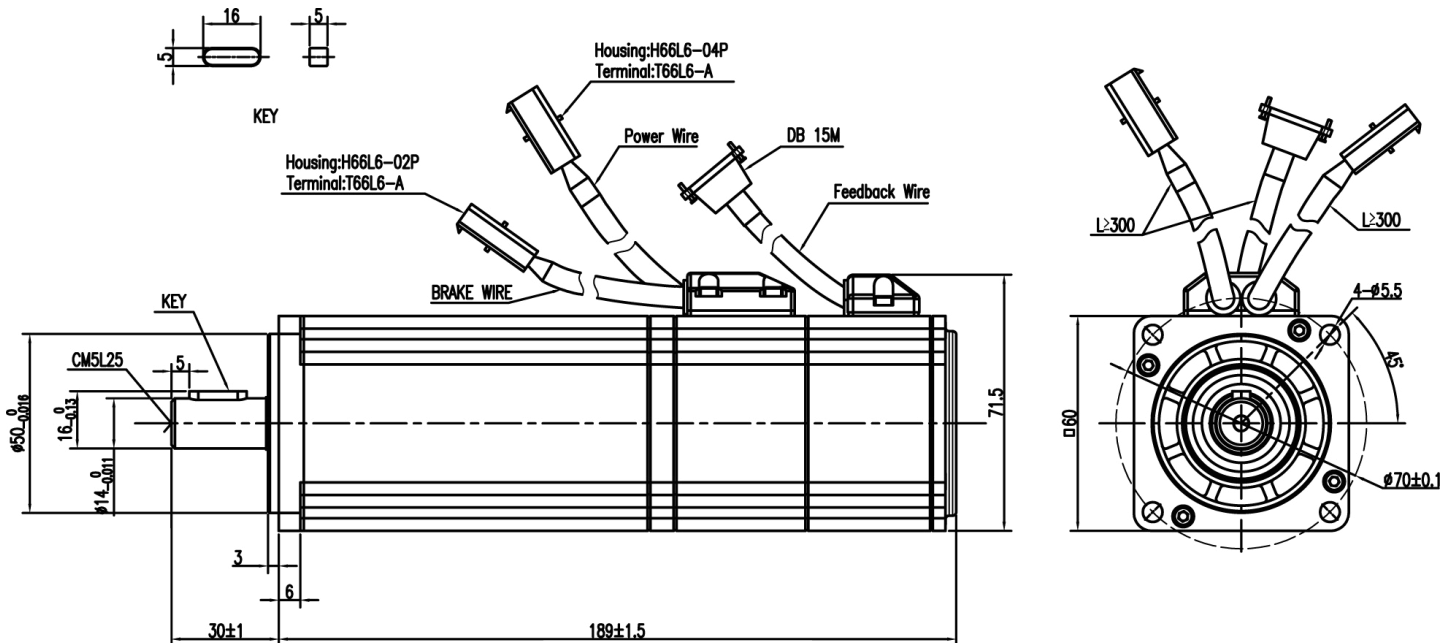
*Note: Part Numbers with -30ABK are equipped with a brake

KNC-SRV-SMH60S-0040-30AAK-3AKH

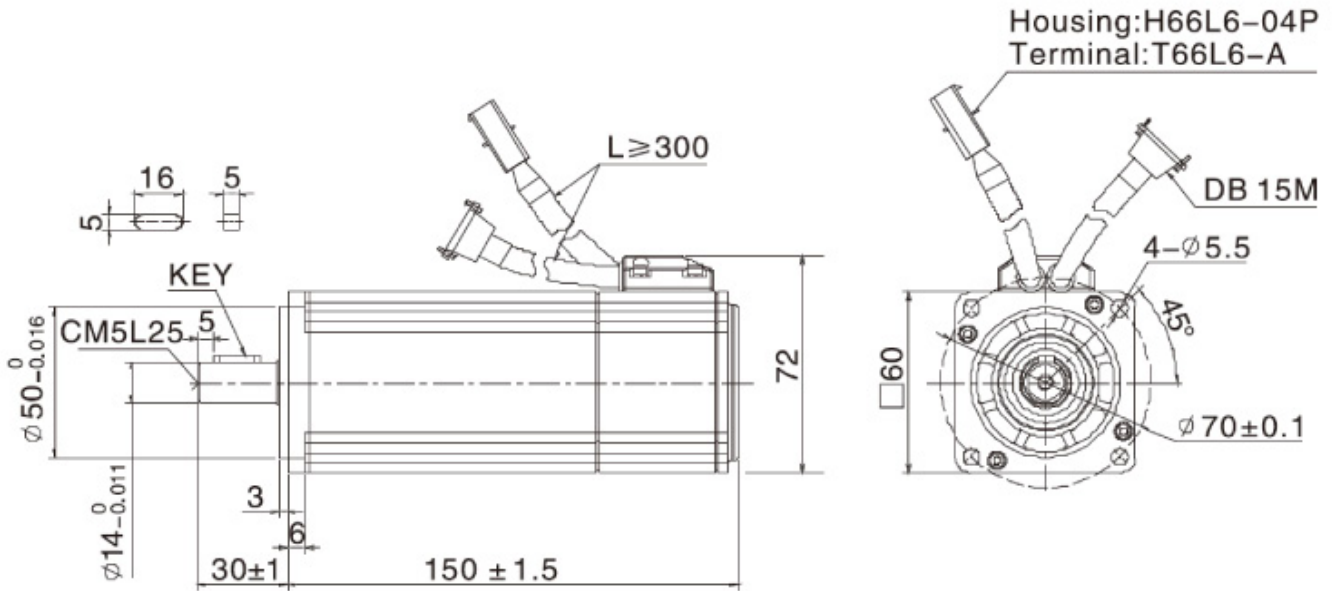


KNC-SRV-SMH60S-0040-30ABK-3AKH

Dimensions are in mm

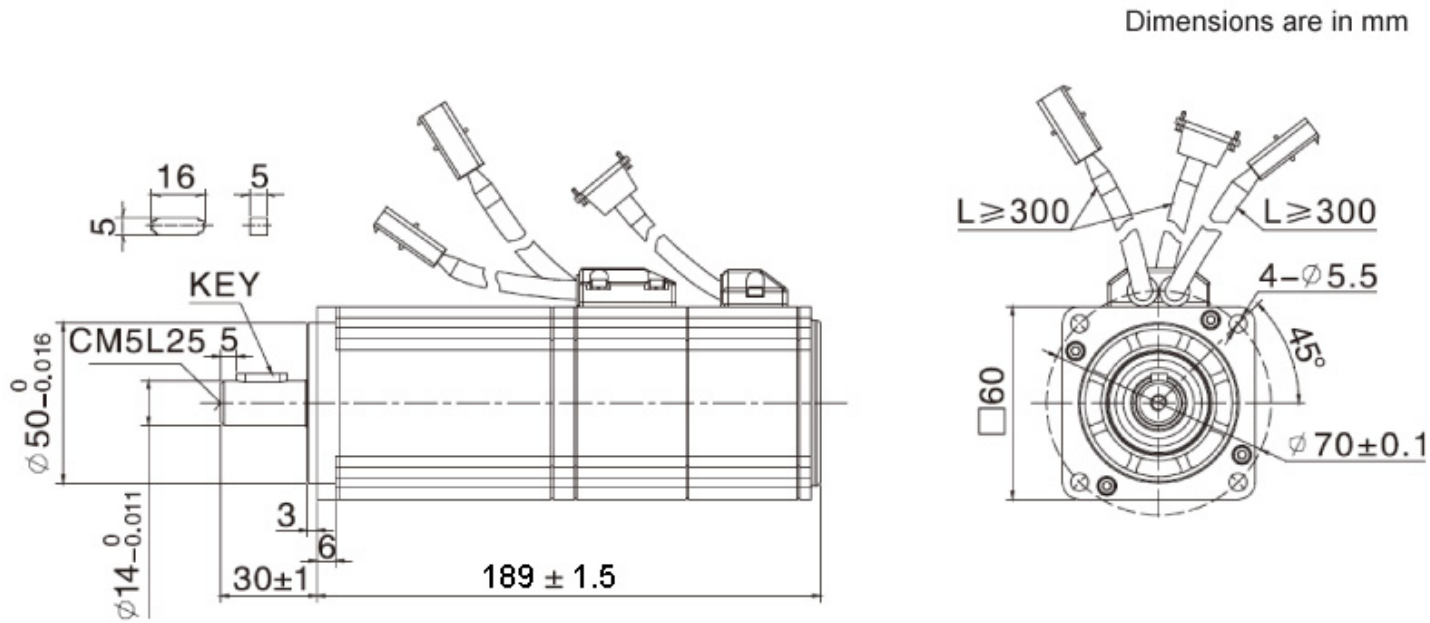


KNC-SRV-SMH60S-0040-30AAK-3LKH



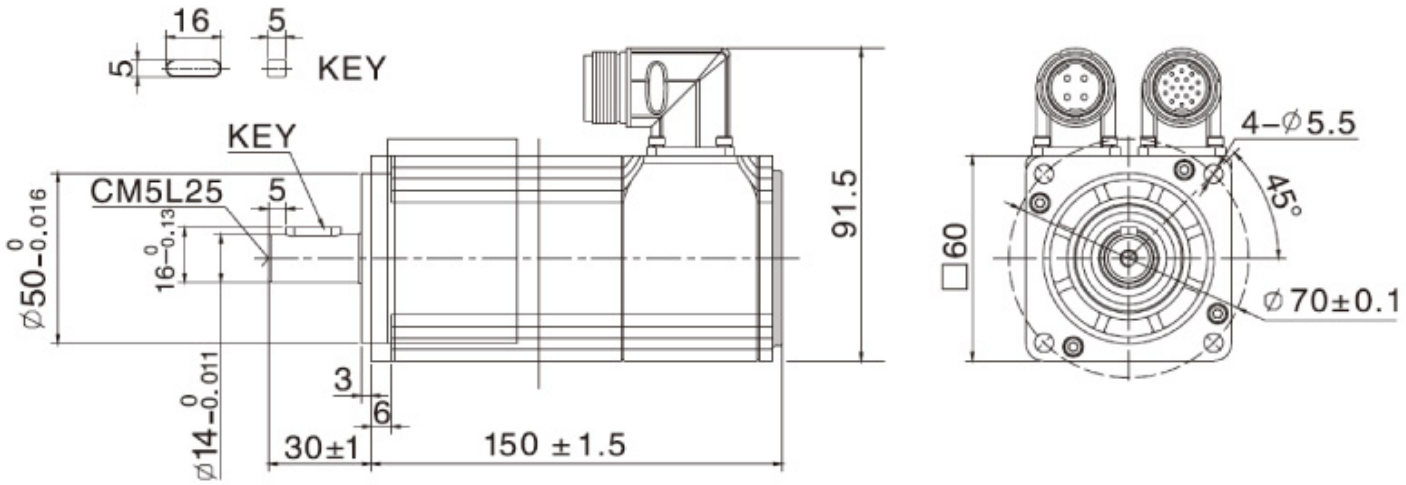
DIMENSIONS

KNC-SRV-SMH60S-0040-30ABK-3LKH



DIMENSIONS

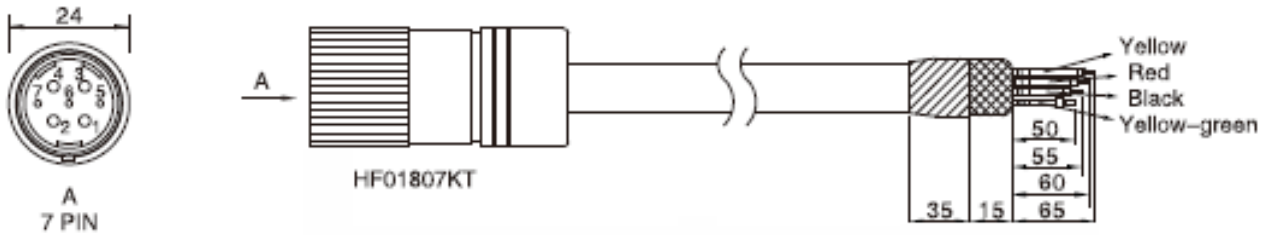
KNC-SRV-SMH60S-0040-30AAK-3LKN



Dimensions are in mm

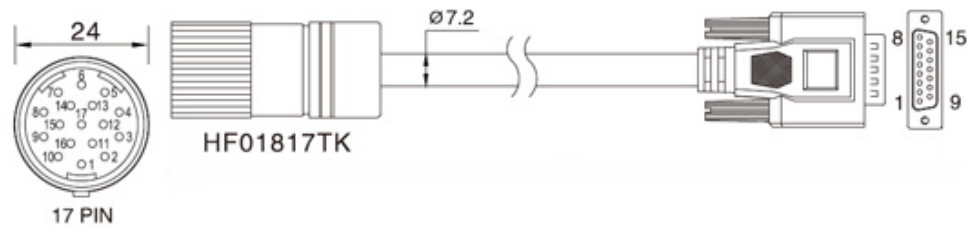
WIRING PINOUTS

Motor Cable: KNC-SRV-MOT-005-05-KC0 for KNC-SRV-SMH60S-0040-30AAK-3LKN



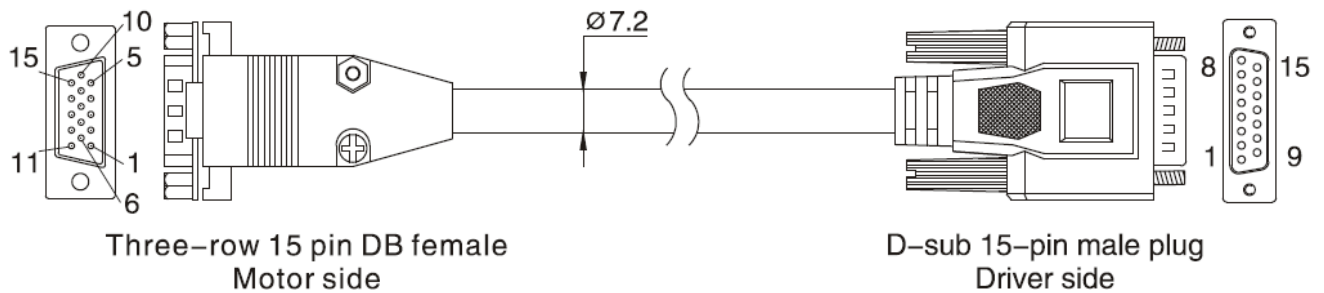
KNC-SRV-MOT-005-05-KC0		
Cable Color	Signal	PIN #
Yellow	U	PIN 2
Red	V	PIN 3
Black	W	PIN 4
Yellow-green	PE	PIN 1
metal-ring	Shield	Shield Cable

Encoder Cable: KNC-SRV-ENCCA-05-KC0 for KNC-SRV-SMH60S-0040-30AAK-3LKN



KNC-SRV-ENCCA-05-KC0				
17 Pin DB	Two-row 15 pin DB	Signal	External Wire Color	Motor Wire Color
PIN 1	PIN 1	+5V	Red (thick)	Red
PIN 3	PIN 2	A	Orange	Blue
PIN 5	PIN 3	B	Yellow	Green
PIN 14	PIN 4	Z	Green	Yellow
PIN 9	PIN 5	U	Brown	Brown
PIN 11	PIN 6	V	Purple	Gray
PIN 16	PIN 7	W	Blue	White
PIN 2	PIN 9	GND	Black (thick)	Black
PIN 4	PIN 10	/A	Orange-White	Blue-Black
PIN 6	PIN 11	/B	Yellow-White	Green-Black
PIN 15	PIN 12	/Z	Green-White	Yellow-Black
PIN 10	PIN 13	/U	Brown-White	Brown-Black
PIN 12	PIN 14	/V	Purple-White	Gray-Black
PIN 17	PIN 15	/W	Blue-White	White-Black
Internal Metal Ring	DB Metal Shell	Shield	Shield	Shield

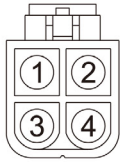
Encoder Cable: KNC-SRV-ENCCA-05-KH for KNC-SRV-SMH60S-0040-30AAK-3AKH, KNC-SRV-SMH60S-0040-30ABK-3AKH, KNC-SRV-SMH60S-0040-30AAK-3LKH, and KNC-SRV-SMH60S-0040-30ABK-3LKH



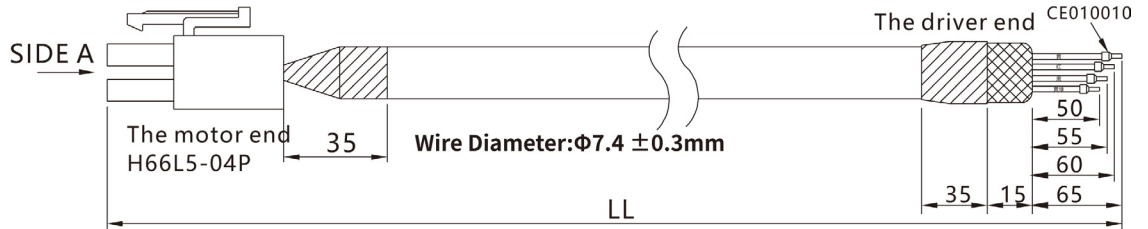
KNC-SRV-ENCCA-05-KH				
Three-row 15 Pin DB	Two-row 15 pin DB	Signal	External Wire Color	Motor Wire Color
PIN 1	PIN 1	+5V	Red (thick)	Red
PIN 8	PIN 2	A	Orange	Blue-black
PIN 7	PIN 3	B	Yellow	Green
PIN 6	PIN 4	Z	Green	Yellow
PIN 4	PIN 5	U	Brown	Brown-black
PIN 10	PIN 6	V	Purple	White-black
PIN 9	PIN 7	W	Blue	Gray-black
PIN 2	PIN 9	GND	Black (thick)	Black
PIN 13	PIN 10	/A	Orange-White	Blue
PIN 12	PIN 11	/B	Yellow-White	Green-Black
PIN 11	PIN 12	/Z	Green-White	Yellow-Black
PIN 5	PIN 13	/U	Brown-White	Brown
PIN 15	PIN 14	/V	Purple-White	White
PIN 14	PIN 15	/W	Blue-White	Gray
PIN 3 empty	PIN 8 empty	--	--	--
Internal Metal Ring	DB Metal Shell	Shield	Shield	Metal Shell

Motor Cable: KNC-SRV-MOT-005-05-KL for KNC-SRV-SMH60S-0040-30AAK-3AKH, KNC-SRV-SMH60S-0040-30ABK-3AKH, KNC-SRV-SMH60S-0040-30AAK-3LKH, and KNC-SRV-SMH60S-004-20ABK-3LKH

Wire Spec. UL2586 4C x 18AWG(41/0.16T) black



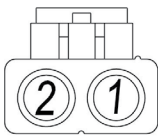
Side A
4 pin connector



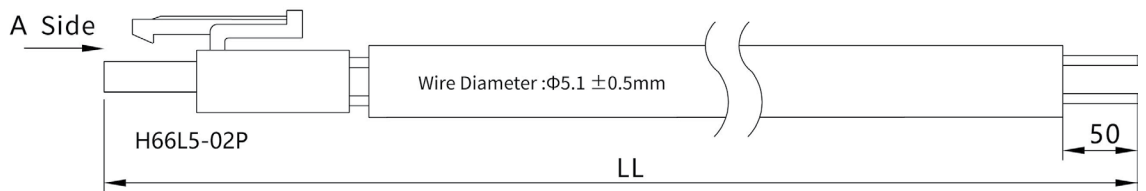
KNC-SRV-MOT-005-05-KL		
Cable Color	Signal	PIN #
Yellow	U	PIN 1
Red	V	PIN 2
Black	W	PIN 3
Yellow-green	PE	PIN 4

WIRING PINOUTS

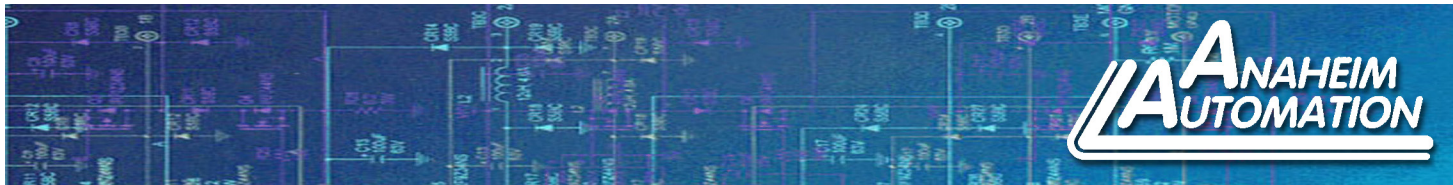
Brake Cable: KNC-SRV-BRA-05-KL for KNC-SRV-SMH60S-0040-30ABK-3AKH and KNC-SRV-SMH60S-0040-30ABK-3LKH



A Side
2PIN



KNC-SRV-MOT-005-05-KL		
Cable Color	Signal	PIN #
Red	Brake+	PIN 1
Blue	Brake-	PIN 2



SPECIFICATIONS

Model	Motor Cable	Encoder Cable	Brake Cable
KNC-SRV-SMH60S-0040-30AAK-3AKH			-
KNC-SRV-SMH60S-0040-30ABK-3AKH	KNC-SRV-MOT-005-05-KL	KNC-SRV-ENCCA-05-KH	KNC-SRV-BRA-05-KL
KNC-SRV-SMH60S-0040-30AAK-3LKH			-
KNC-SRV-SMH60S-0040-30ABK-3LKH			KNC-SRV-BRA-05-KL
KNC-SRV-SMH60S-0040-30AAK-3LKN	KNC-SRV-MOT-005-05-KC0	KNC-SRV-ENCCA-05-KC0	-

Cooling Method	Totally Enclosed, Non-Ventilated
Protection Level	IP65 for Body, Shaft Sealing IP54
Temperature	-20°C~40°C
Humidity	Below 90% RH (Non Condensing)
Ambient Environment	Away from active gas, combustible gas, oil drops and dust
Altitude	Maximum Altitude 4000m, Rated Power at 100m or Below, Above 1000m: Decreasing 1.5% per 100m Rise